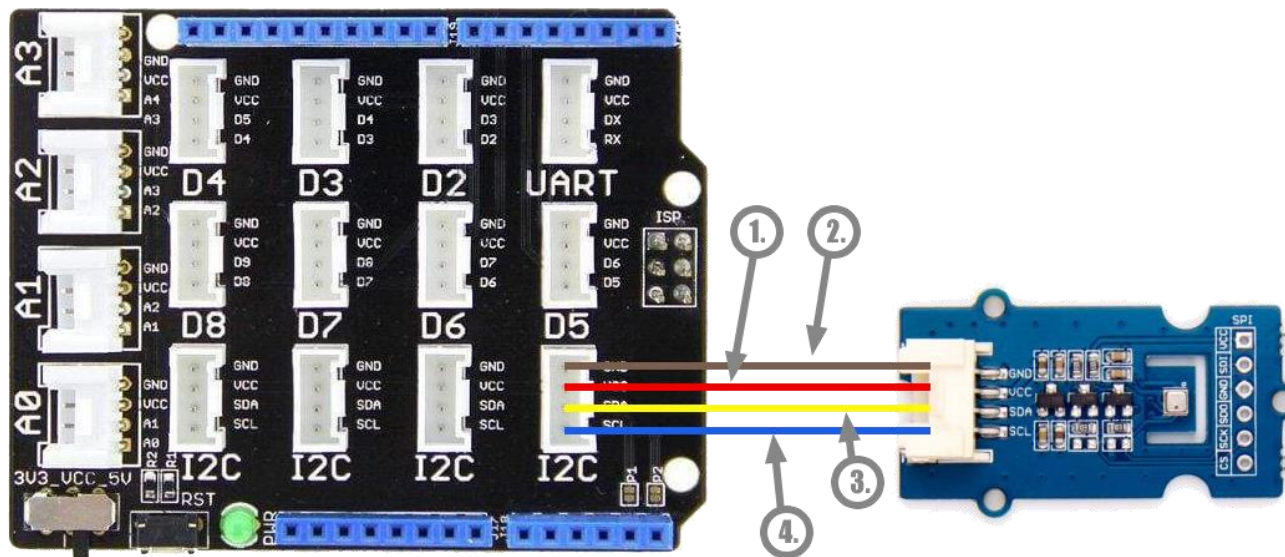


## Connecting the Grove Barometer Sensor (BME280)



This diagram presents how the Grove Barometer Sensor module is connected to Grove Base Shield. For your convenience you are advised to use a 4-pin F-F Grove wire, and make sure that:

- The VCC pin (1) is connected to the Vcc pin of I2C port.
- The GND pin (2) is connected to the GND pin of I2C port.
- The SDA pin (3) is connected to the SDA pin of I2C port.
- The SCL pin (4) is connected to the SCL pin of I2C port.

Notes:

*The colors of the wires in the diagram are indicative. The Grove wires might come in different colors.*

Notes: