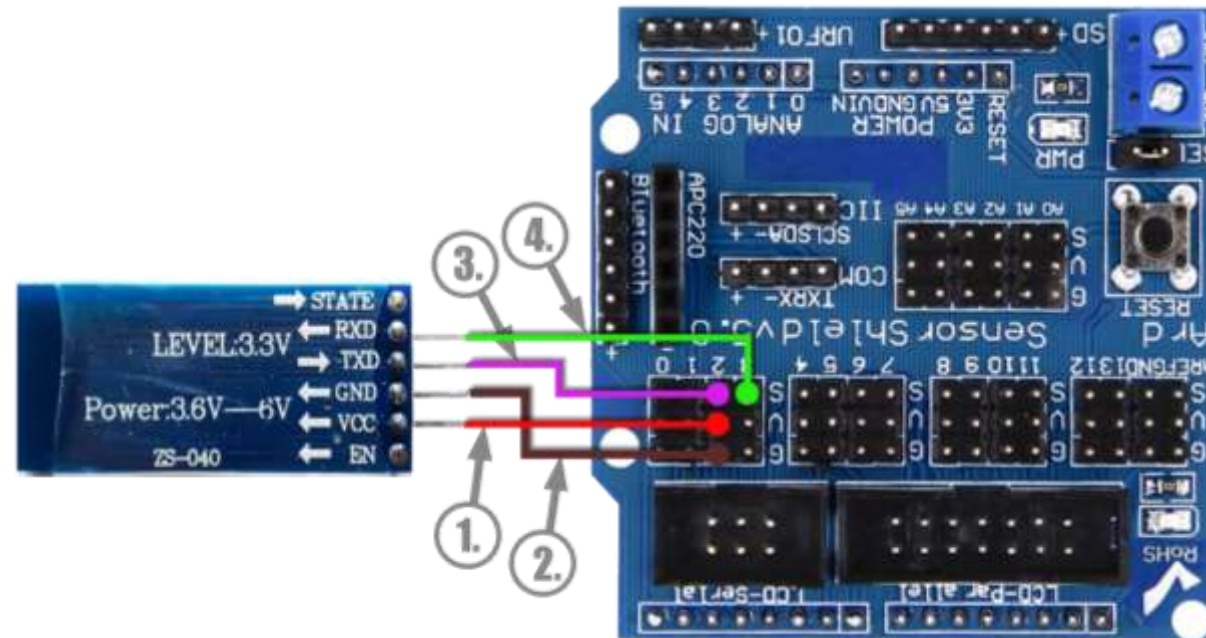


Connecting the HC06 Bluetooth module



This diagram presents how the HC06 Bluetooth module should be connected to Arduino Sensor Shield, for the needs of Level 4 (namely, Controlling Remotely the DIY Automobile).

- Respectively, connect the VCC pin (1) and the GND pin (2) of Bluetooth module to the VCC and GND pins of one of the extended digital pins (Vcc and GND of digital pin 2 in the example).
- Connect the TXD pin (3) of Bluetooth module to digital pin 2.
- Finally, connect the RXD pin (4) of Bluetooth module to digital pin 3.

Notes:

For the needs of this circuit you will need four F-M jumper wires

TX and RX stands for Transmit and Receive, respectively.

Notes: