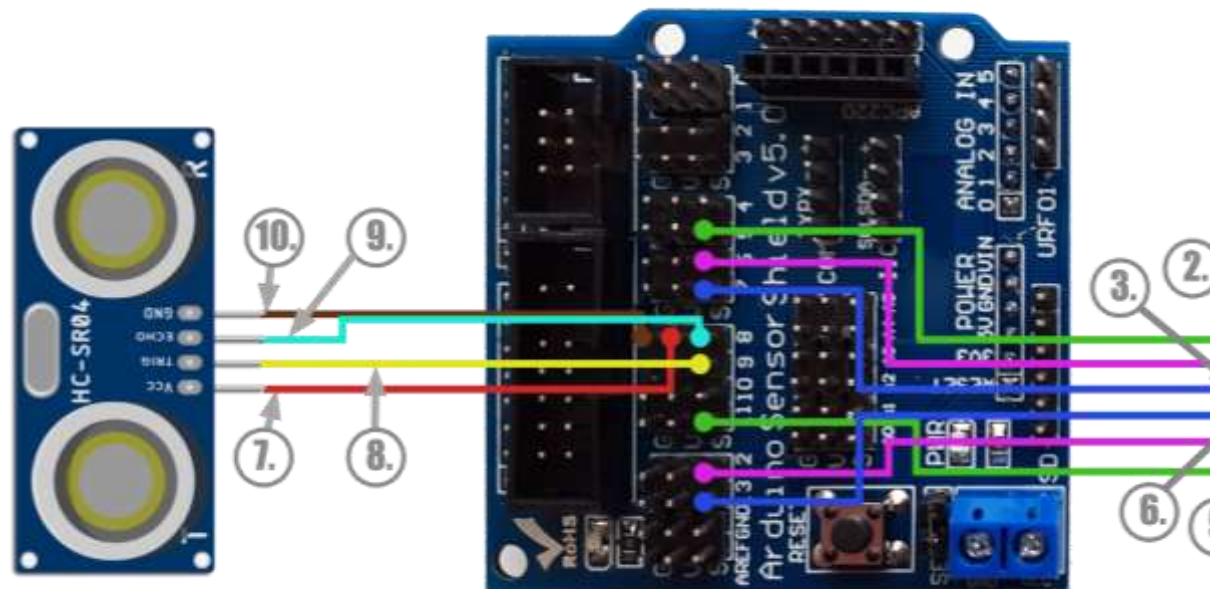


Connecting the Ultrasonic Sensor



This diagram shows how the Ultrasound sensor is connected to the Shield.

- Connect the Vcc (7.) and Ground (10.) pins to a 5V and a Ground pin of the shield (pin 8 in the example)
- Then connect the Trigger pin (8.) to a PWM pin (pin 9 in the example)
- Finally, connect the Echo (9.) to one of digital pins (pin 8 in the example)

Notes:

*For reasons of readability, the diagram does not illustrate all the full circuit.*

*Unlike Snap4Arduino, in mBlock there is no restrain on which pins you should choose for connecting the trigger and the echo pins.*

Notes: