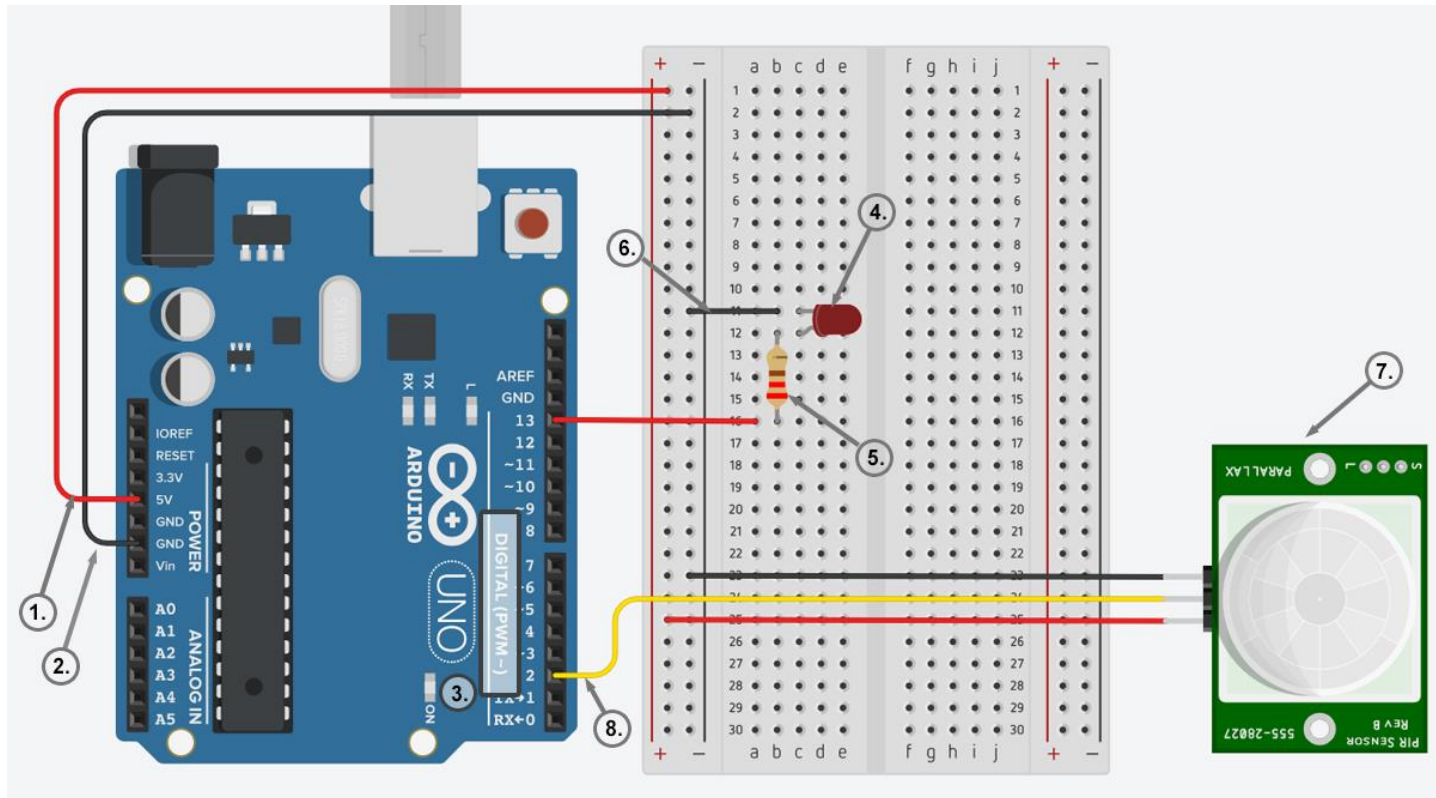


Level 1: The smart light that turns on only when movement is detected



- Use 5V (1) and Ground/ GND (2) pins to respectively provide 5V power and ground to your breadboard
- Use one of the digital pins (3) (pin 13 in the example) to connect the anode of your LED (4) through the resistor (5)
- Connect the cathode of your LED to ground (6) in order to create a closed circuit
- Use, again, one of the digital pins (3) (pin 2 in the example) to connect the signal pin (8) of your PIR sensor (7). Use the remaining two pins to provide 5V power and ground to your sensor.
- Keep in mind that some PIR sensors have the signal pin in the middle. Therefore, before connecting the sensor to your breadboard, please check the label on each pin.

Notes: