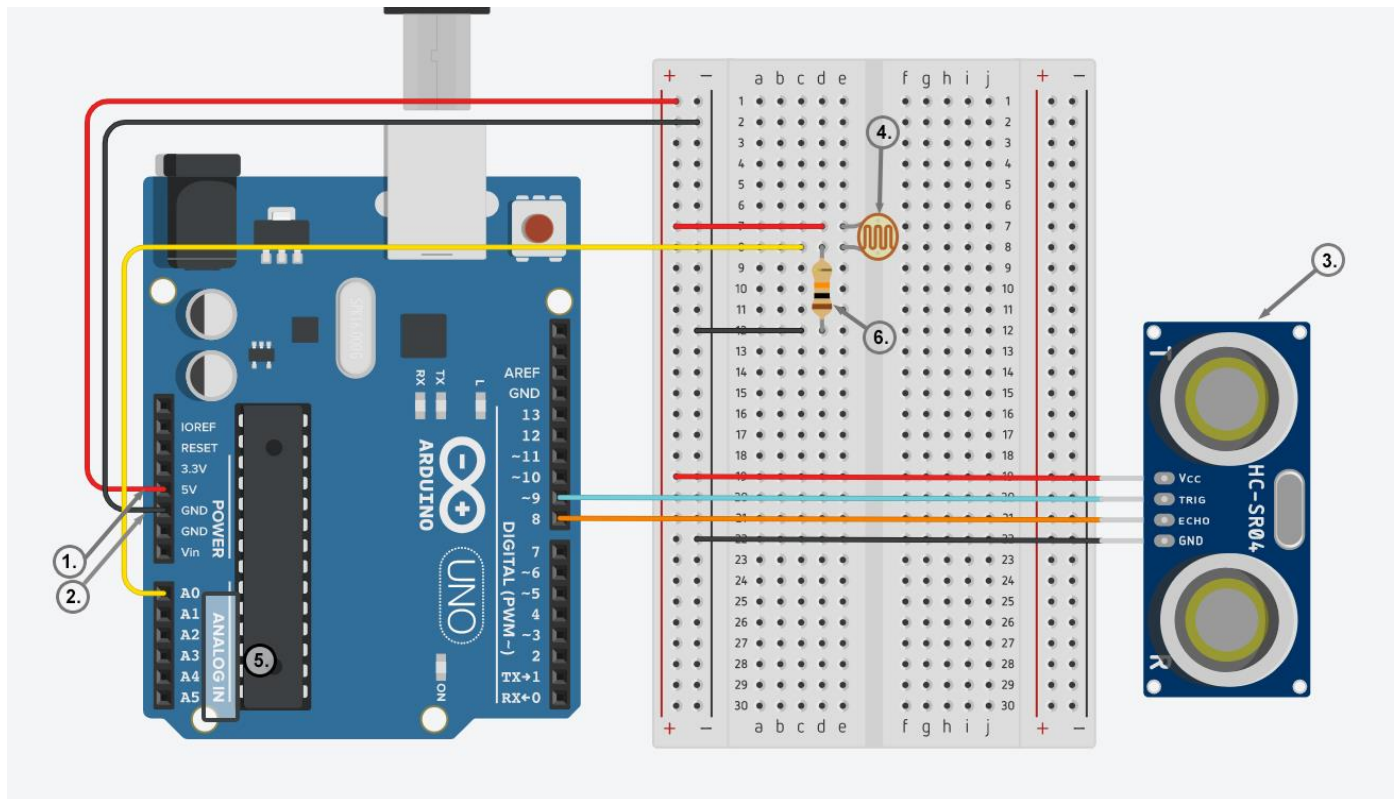


## Level 2: Creating a two-hand operated Theremin that reproduces sound through the PC



- Use 5V (1) and Ground/ GND (2) pins to respectively provide 5V power and ground to your breadboard
- Connect one of the photoresistor's (4) legs to power (5V), and the other to one of the analog pins (5) (pin A0 in the example), as well as to ground through the 10KΩ resistor (6).
- Ultrasonic sensor (3) has four legs. Connect Vcc leg to 5V power, GND leg to ground, while Trigger and Echo legs to digital pins 9 and 8 respectively.

Notes: