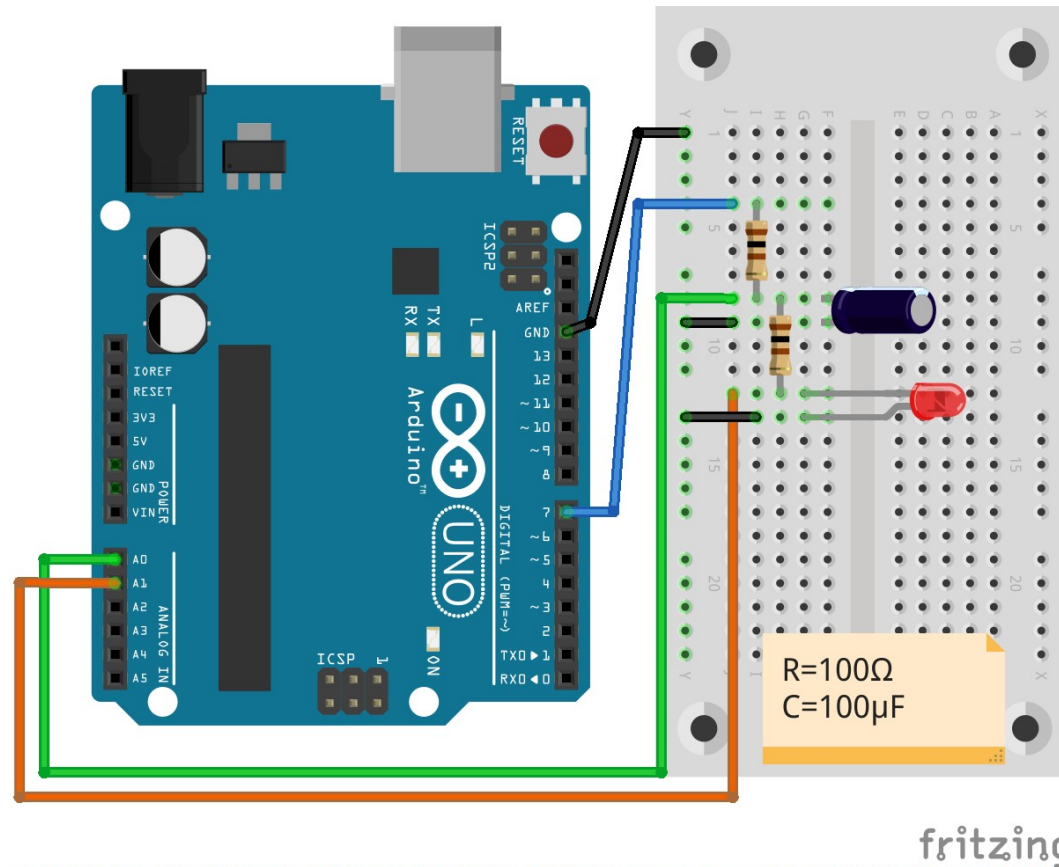


## Level 4: Study of the LED diode characteristics



- Use Ground/GND pin to provide ground to your breadboard
- Create the low-pass filter using a  $100\Omega$  resistor and a  $100\mu\text{F}$  capacitor
- Connect measurement resistor ( $100\Omega$ ) to low-pass filter and anode of LED diode
- Connect one of PWM pins (e.g. pin 7) with the low-pass filter
- Connect cathode of your LED to ground
- Connect the node of output of low-pass filter and measurement resistor to one of analog pins (e.g. A0)
- Connect the node of measurement resistor and anode of LED node to one of analog pins (e.g. A1)

Notes: